
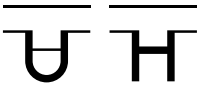


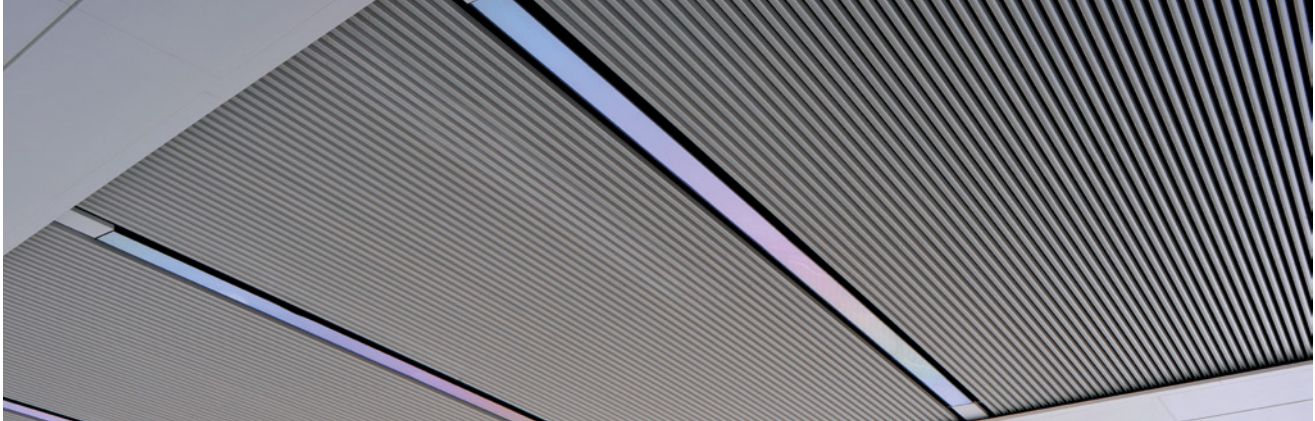
SAS730 \overline{U} \overline{H}

SAS
International



Overview

SYSTEM GROUP		SUSPENSION METHOD	
		EMAC Channel	
Linear Profile Ceiling			
PROFILE		MATERIAL	
		Aluminium	
Clip-in H and U form extrusions			
APPLICATION		END CAPS	
Interior + exterior		X	
ACCESS	SYSTEM WEIGHT	LIFE EXPECTANCY	
Limited Access – standard system	0.4Kg/Lm + Grid	25yr	
In excess of			



SAS730 is a linear profile system offering 'H' and 'U' formed profiles for an alternative aesthetic finish. The system is ideally suited to premium retail environments and other, similar high traffic areas requiring smoke extraction applications.

As an aluminium-extruded profile system, SAS730 offers superior quality, bespoke finishes and can accommodate complex geometry.

Profile Sizes

Standard Length	3000mm Max.
Standard Width	30mm
Standard Depths	35mm

Bespoke profile sizes and waveform profiles are available on request. SAS730 is limited to 3000mm lengths max.

Access

SAS730 offers limited access as standard. Integral 600mm² and 1000mm² access hatches can be achieved as a non-standard offering.

Finishes

SAS730 is available in all standard SAS finishes, please refer to page 105. Bespoke finishes are available on request, including polished and anodised.

Service Integration

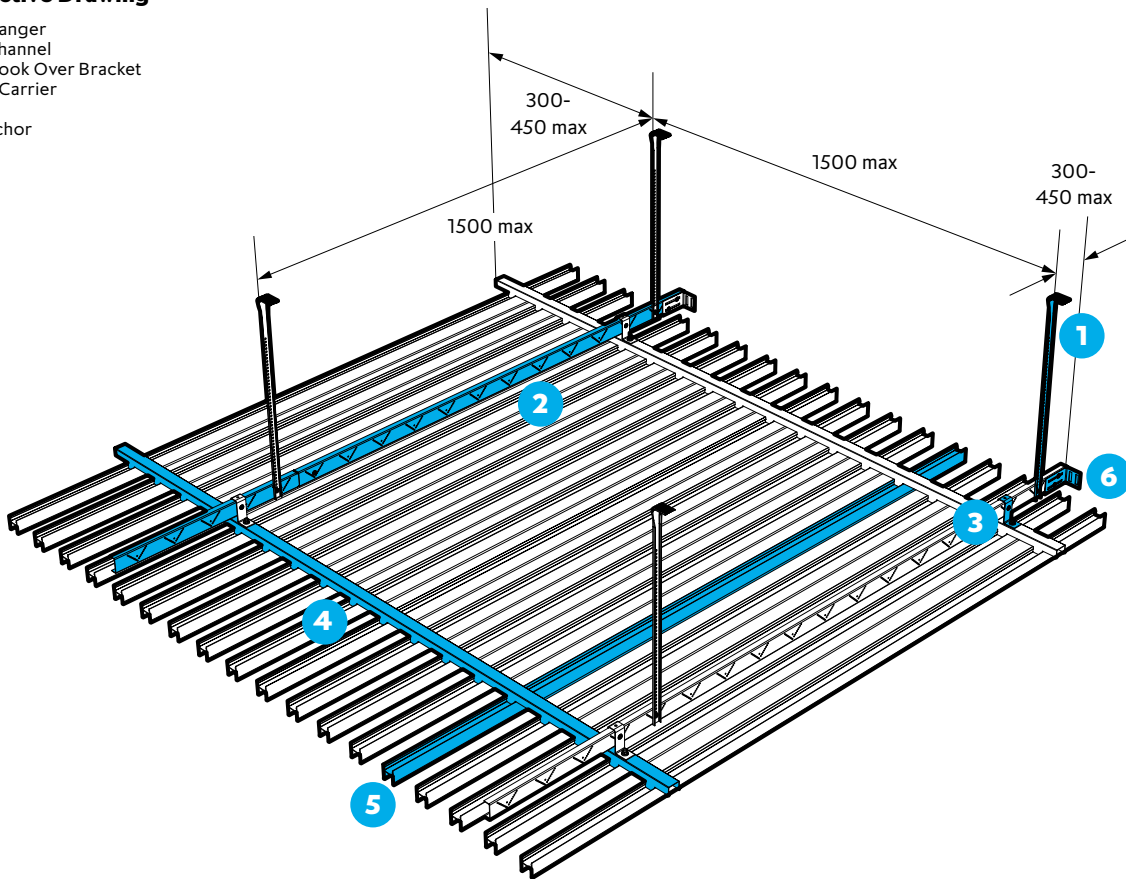
Service integration is limited to separately mounted services in between profiles.

Technical Support

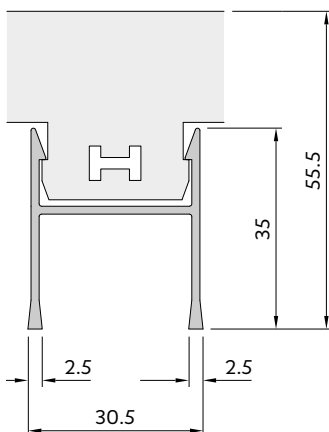
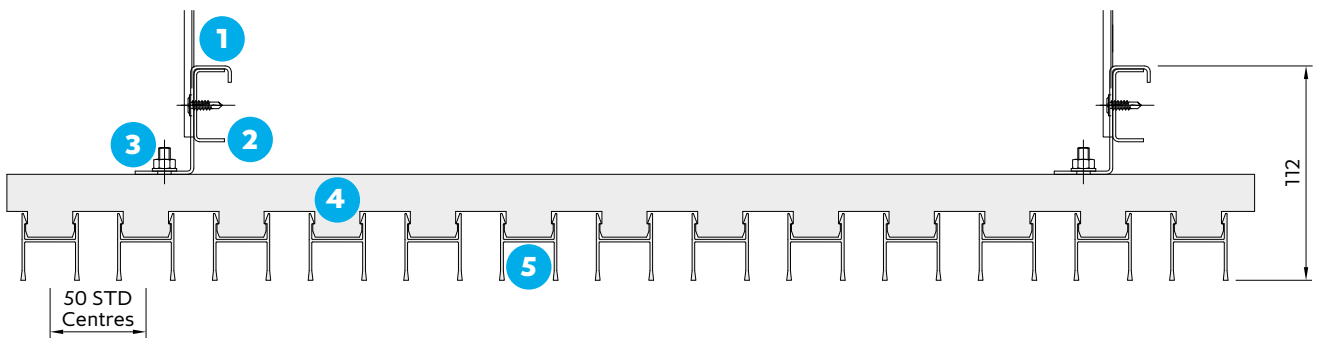
Please contact our technical team for all questions relating to access, bespoke features and service integration.

Perspective Drawing

- 1 Emac Hanger
- 2 Emac Channel
- 3 Emac Hook Over Bracket
- 4 H-Line Carrier
- 5 H-Line
- 6 Wall anchor



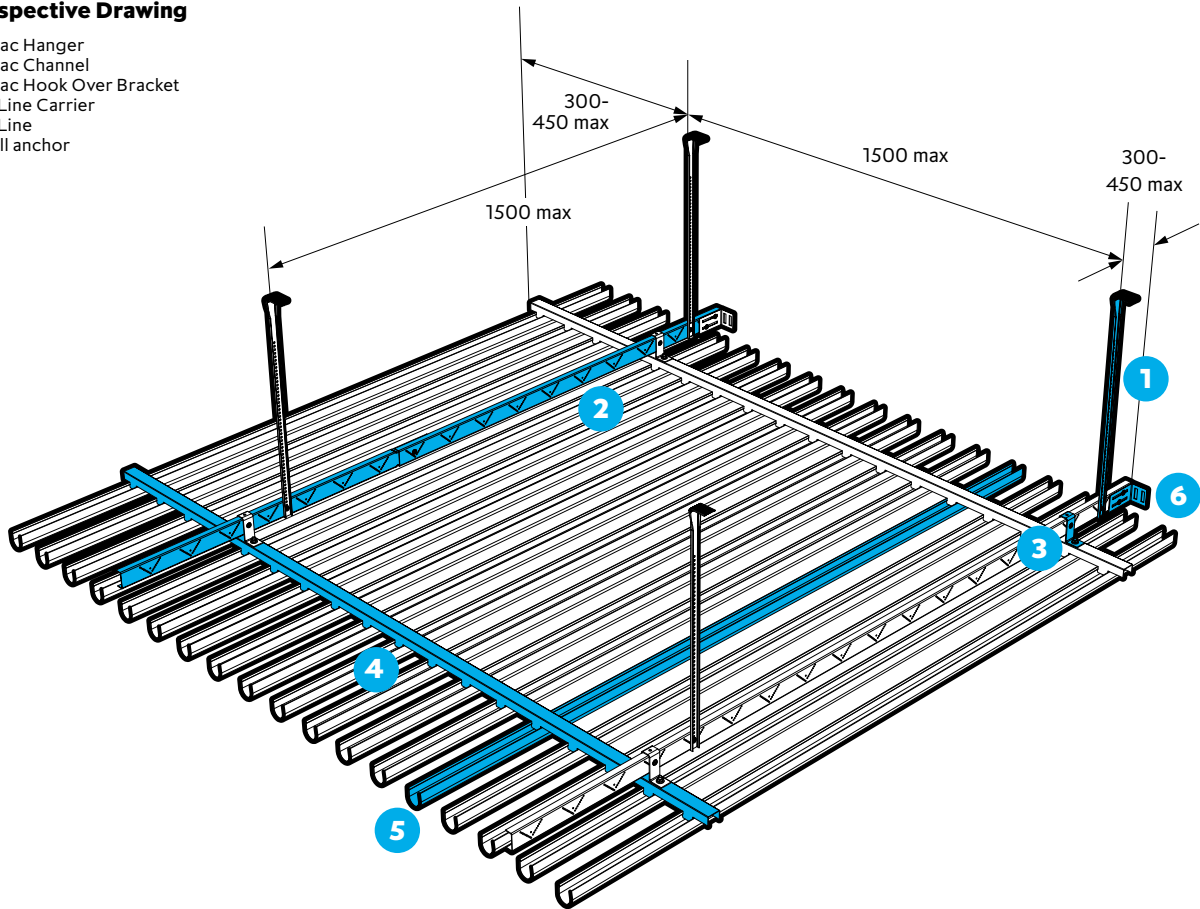
Section and detail drawings



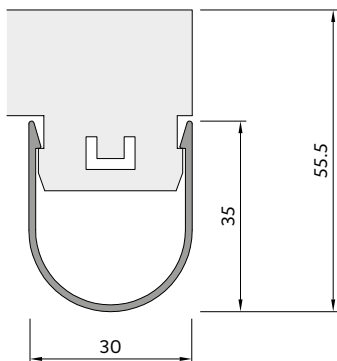
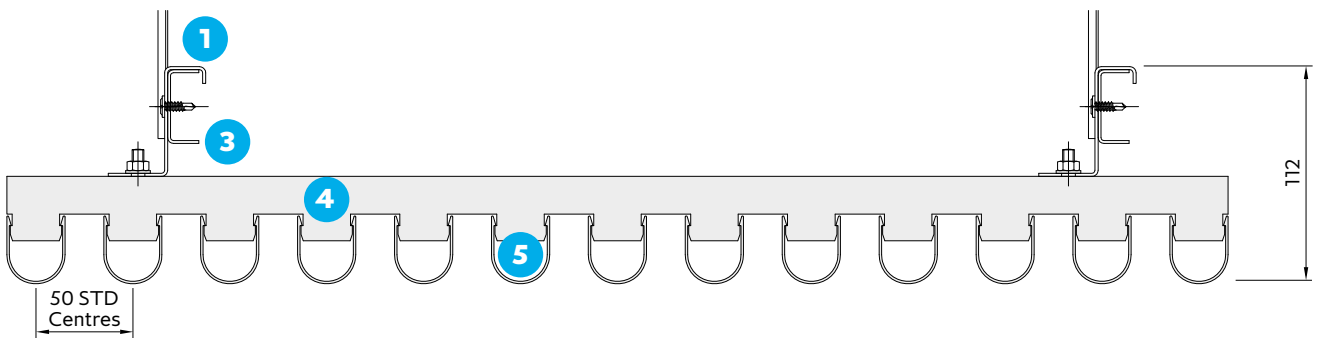
All dimensions are in mm.

Perspective Drawing

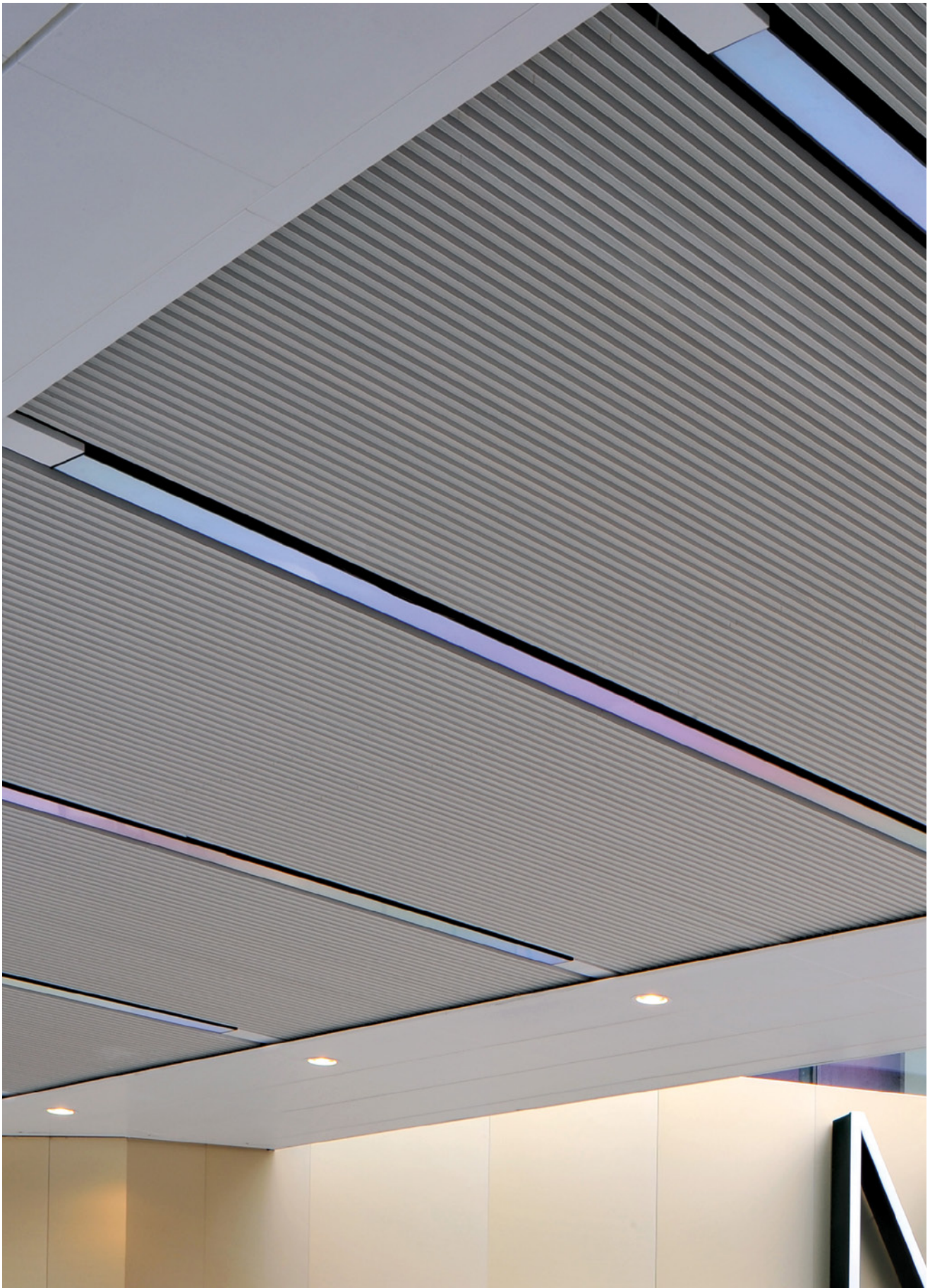
- 1 Emac Hanger
- 2 Emac Channel
- 3 Emac Hook Over Bracket
- 4 U-Line Carrier
- 5 U-Line
- 6 Wall anchor



Section and detail drawings



All dimensions are in mm.



SAS**730**

Westfield, Stratford City

Location
London, UK
Architect
**Westfield Shopping
Towns Ltd**

Contractor
**Westfield Shopping
Towns Ltd**
Purpose
Retail

SAS^{PLUS}

SAS Plus offers the system designer access to SAS' in-house design team to collaborate on bespoke ceiling specification. Systems can be variants of standard SAS offerings, or completely bespoke designs.

Call us for more details.

UK +44 (0) 1189 290 900

UK sasint.co.uk

enquiries@sasint.co.uk